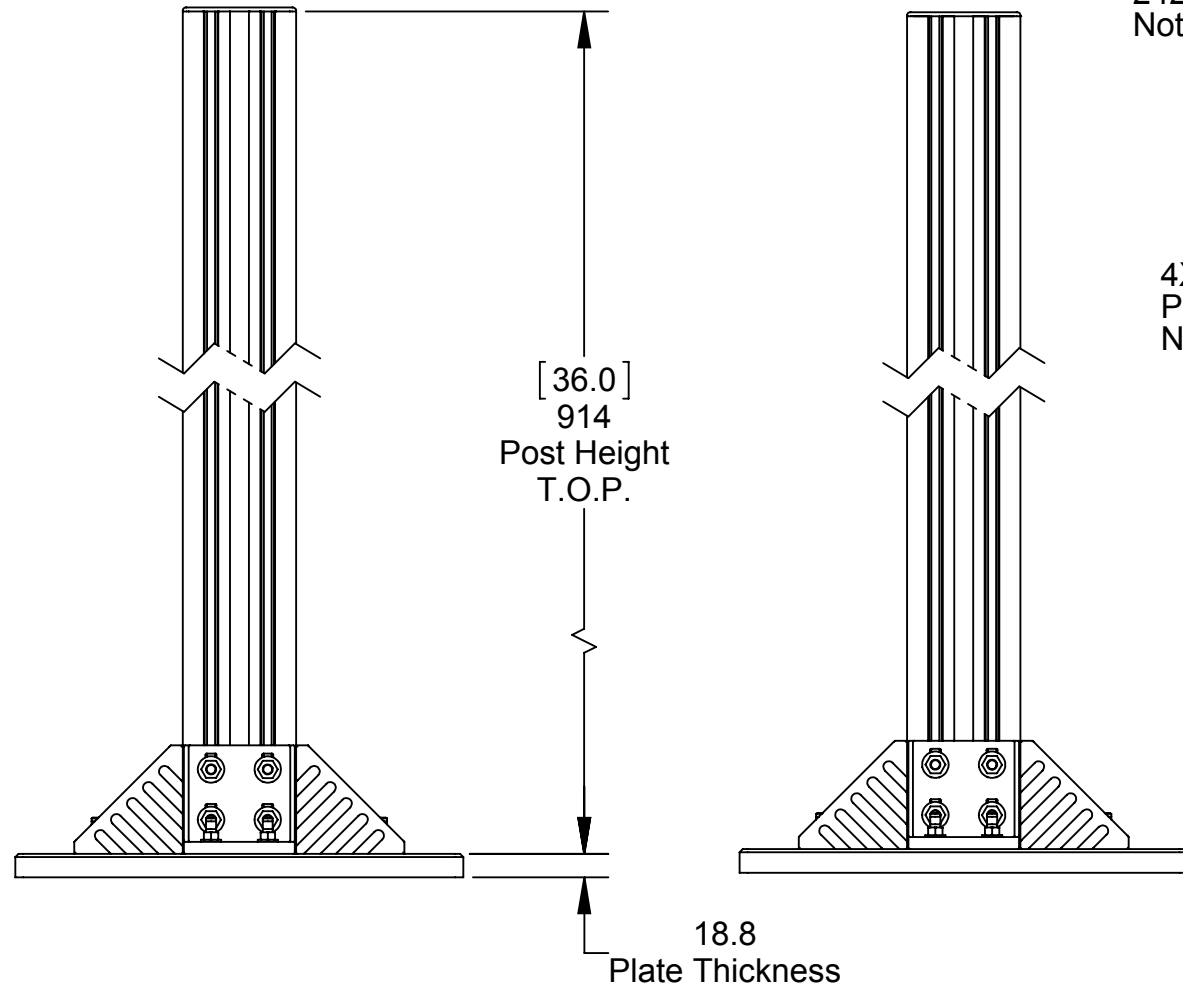
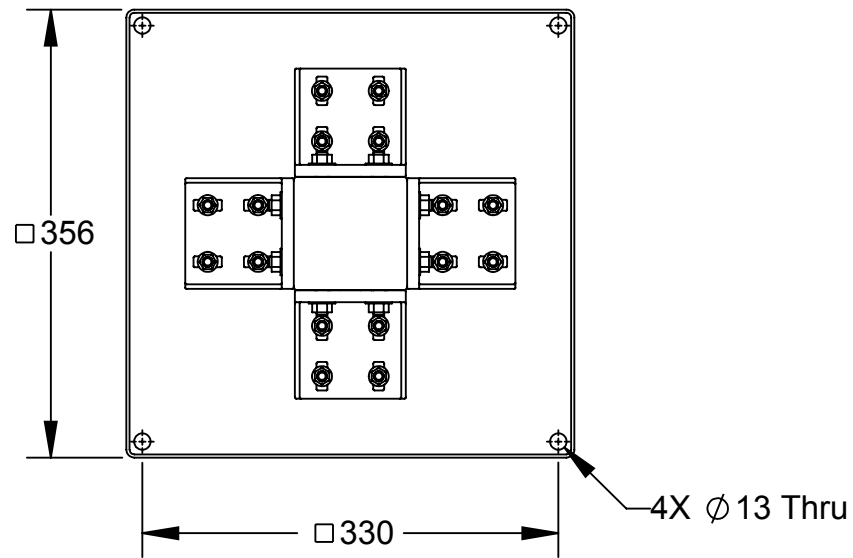


| Rev. | Description | Initiator | Date |
|------|---|-----------|------------|
| 02 | ECO 13492: Added new Note #1 and renumbered existing Notes; Changed Note #'s on callouts; Added images & Notes detailing tab removal; "Kit" added to Post Module description. | MSD | 10/27/2015 |



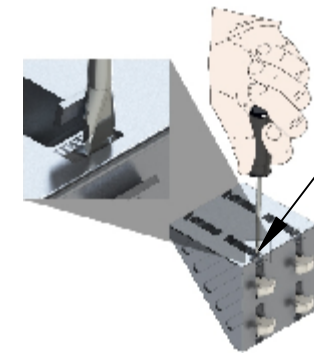
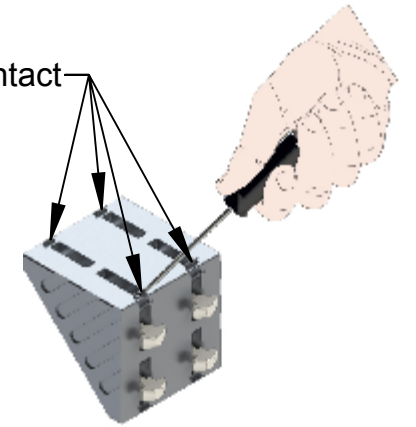
4X M8 T-Bolt
242 / 190 in-lbs
Note 2

4X M8 SHCS
Pre / 190 in-lbs
Note 3

4X Gusset Kits
included
Note 1

4X M12 SHCS
Pre / 250 in-lbs
Note 3

Remove the tabs on the
Gusset face that will contact
the Base assembly



Pry up on a tab to
break it off

Tab Removal Instructions:

1. Insert a screw driver into the slot under the tab.
2. Pry up on the tab to break it off.
3. Remove any burrs that may not allow flush contact to the base assembly.

Notes:

1. Customer to remove Gusset tabs from the mating surface that contacts the base assembly.
2. Customer to use Loctite or similar thread locker and torque fasteners to listed torque value.
3. Customer to install pre-applied fasteners and torque to listed torque value.

| ITEM NO. | QTY | PART NUMBER | DESCRIPTION |
|---|--------------|---|---|
| 1 | 1 | 9120-TSM-PM-3317 | TSM Post Module, 0914mm (36") Post Height - Kit |
| <p>NOTES: UNLESS OTHERWISE SPECIFIED.</p> <p>DO NOT SCALE DRAWING. ALL DIMENSIONS ARE IN MILLIMETERS.</p> | | | |
| <p>3rd ANGLE PROJECTION</p> | | <p>1031 Goodworth Drive, Apex, NC 27539, USA Tel: +1.919.772.0115 Email: info@ati-ia.com Fax: +1.919.772.8259 www.ati-ia.com ISO 9001 Registered Company</p> <p>PROPERTY OF ATI INDUSTRIAL AUTOMATION, INC. NOT TO BE REPRODUCED IN ANY MANNER EXCEPT ON ORDER OR WITH PRIOR WRITTEN AUTHORIZATION OF ATI.</p> | |
| | | <p>AT I INDUSTRIAL AUTOMATION</p> | |
| DRAWN BY: D.Brewer, 11/08/13 | | TITLE | |
| CHECKED BY: J. Winterroth, 11/21/13 | | TSM Post Module, 0914mm (36") Post Height | |
| PROJECT # | SHEET 1 OF 1 | SCALE | SIZE |
| | | 1:6 | B |
| | | DRAWING NUMBER | REVISION |
| | | 9630-20-TSM-PM-3317 | 02 |